
Comfort-Aire®

Century®

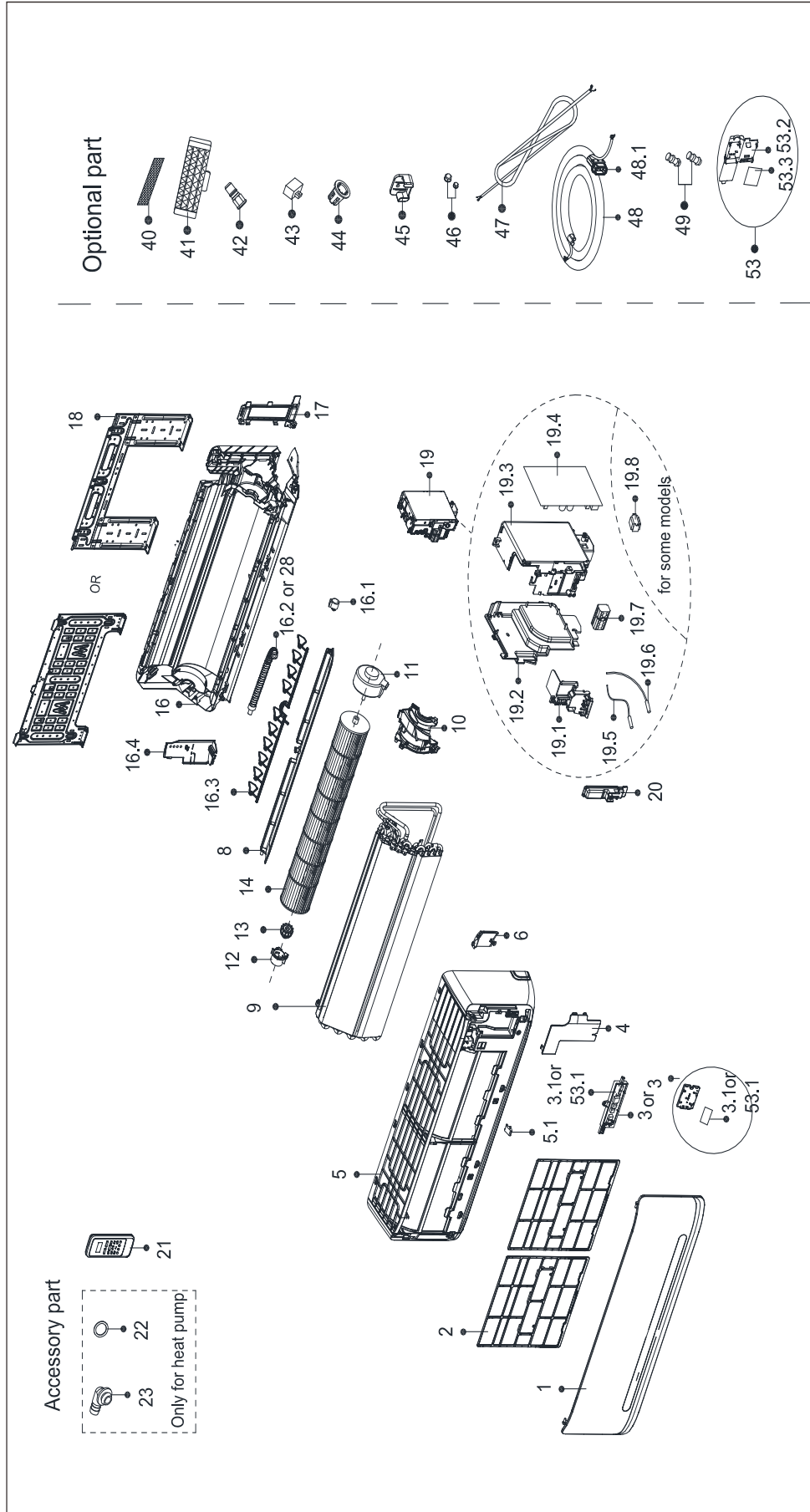
MARS®
Delivering Confidence

REPLACEMENT PARTS LIST

**Single Zone Inverter Mini-Split
Indoor Air Handler**

B-DVH12SG-1

EXPLODED VIEW



REPLACEMENT PARTS

Location	Part Name	Quantity	Part No.
1	Panel assembly	1	12122000A75690
2	Filter filter subassembly	2	12100204000522
4	Cover of electrical equipment	1	12122000006755
5	Panel frame assembly	1	12122000001726
5.1	Screw Cap	1	12122000009477
6	Front cover of chassis(right)	1	12122000004587
8	Horizontal louver assembly	1	12122000005815
9	Evaporator assembly	1	15822000008189
10	Fan motor cover	1	12122000005540
11	Brushless DC Motor	1	11002015000051
12	Bearing holder	1	12122000000350
13	Bearing base	1	12622000000006
14	Cross flow fan	1	12100102000044
16	Chassis assembly	1	12122000011818
16.1	Stepper motor	1	11002010000143
16.3	Vertical vane subassembly	1	12122000000038
16.4	Front cover of chassis(left)	1	12122000010098
17	pipe clamp board	1	12122000012943
18	Installation plate	1	12222000A00811
19	Electronic control box subassembly (Mid-and low-end)	1	17222000028160
19.1	Electronic control box	1	12122000004577
19.2	Left cover of electronic control box	1	12122000004639
19.3	Right cover of electronic control box	1	12122000004632
19.4	Main control board subassembly	1	17122000044667
19.5	Room temperature sensor	1	11201007003424
19.6	Pipe Temperature Sensor	1	11201007003447
19.7	Terminal	1	17400401000006
20	Cover of electronic control box	1	12122000005020
21	Remote controller	1	17317000A51872
22	seal ring	1	12600701000039
23	Drain hose	1	12100509000061
28	Drain hose	1	12100501000032
40	Air freshening filter	2	12100206000056
42	Check valve	1	15500209000001
45	Bracket of remote Controller	1	12122000027147
46	Copper nut	1	15500406000016
46	Copper nut	1	15500406000012
53	Display box subassembly	1	17222000A07041
53.1	Display board subassembly	1	17122000A07845
53.2	Display box	1	12122000A03192

Due to ongoing product improvements, specifications and dimensions are subject to change and correction without notice or incurring obligations. Determining the application and suitability for use of any product is the responsibility of the installer. Additionally, the installer is responsible for verifying dimensional data on the actual product prior to beginning any installation preparations.

Incentive and rebate programs have precise requirements as to product performance and certification. All products meet applicable regulations in effect on date of manufacture; however, certifications are not necessarily granted for the life of a product. Therefore, it is the responsibility of the applicant to determine whether a specific model qualifies for these incentive/rebate programs.

Comfort-Cire®  **Century**®

1900 Wellworth Ave., Jackson, MI 49203 • Ph. 517-787-2100 • www.marsdelivers.com

